

(19)



(11)

EP 3 165 874 B1

(12)

EUROPEAN PATENT SPECIFICATION

(45) Date of publication and mention of the grant of the patent:
19.08.2020 Bulletin 2020/34

(51) Int Cl.:
G01B 11/25 (2006.01) G01S 17/48 (2006.01)
G01S 7/481 (2006.01) G01S 7/486 (2020.01)

(21) Application number: **15192952.8**

(22) Date of filing: **04.11.2015**

(54) METHOD AND DEVICE FOR TRIANGULATION-BASED DISTANCE MEASUREMENT

VERFAHREN UND VORRICHTUNG FÜR TRIANGULATIONSBASIERTE ABSTANDSMESSUNG

PROCÉDÉ ET DISPOSITIF DE MESURE DE DISTANCE UTILISANT LA TRIANGULATION

(84) Designated Contracting States:
AL AT BE BG CH CY CZ DE DK EE ES FI FR GB GR HR HU IE IS IT LI LT LU LV MC MK MT NL NO PL PT RO RS SE SI SK SM TR

(43) Date of publication of application:
10.05.2017 Bulletin 2017/19

(73) Proprietor: **Hexagon Technology Center GmbH**
9435 Heerbrugg (CH)

(72) Inventors:
 • **STIGWALL, Johan**
CH-9008 St.Gallen (CH)
 • **JENSEN, Thomas**
CH-9400 Rorschach (CH)
 • **CHAMP, Peter**
Pinner, HA5 3HG (GB)

(74) Representative: **Kaminski Harmann**
Patentanwälte AG
Landstrasse 124
9490 Vaduz (LI)

(56) References cited:
US-A- 5 276 520 US-A1- 2008 094 643

- **DAVID YANG ET AL: "Comparative analysis of SNR for image sensors with enhanced dynamic range", PROCEEDINGS OF SPIE, vol. 3649, 27 April 1999 (1999-04-27), XP055238657, US ISSN: 0277-786X, DOI: 10.1117/12.347075 ISBN: 978-1-62841-730-2**
- **DECKER S ET AL: "A 256 X 256 CMOS IMAGING ARRAY WITH WIDE DYNAMIC RANGE PIXELS AND COLUMN-PARALLEL DIGITAL OUTPUT", IEEE JOURNAL OF SOLID-STATE CIRCUITS, IEEE SERVICE CENTER, PISCATAWAY, NJ, USA, vol. 33, no. 12, December 1998 (1998-12), pages 2081-2091, XP002938874, ISSN: 0018-9200, DOI: 10.1109/4.735551**
- **WEI GAO ET AL: "A 100-dB-DR Predictive-Integration CMOS Image Sensor for Laser Rangefinding", IEEE TRANSACTIONS ON ELECTRON DEVICES, IEEE SERVICE CENTER, PISCATAWAY, NJ, US, vol. 56, no. 12, 1 December 2009 (2009-12-01), pages 2987-2994, XP011278557, ISSN: 0018-9383, DOI: 10.1109/TED.2009.2030655**

EP 3 165 874 B1

Note: Within nine months of the publication of the mention of the grant of the European patent in the European Patent Bulletin, any person may give notice to the European Patent Office of opposition to that patent, in accordance with the Implementing Regulations. Notice of opposition shall not be deemed to have been filed until the opposition fee has been paid. (Art. 99(1) European Patent Convention).

Description

[0001] The present invention generally pertains to a method and device for structured light triangulation measurement of a surface of an object using an improved detection approach relating to a higher dynamic range of the detector and to an adjusted generation of measuring light.

[0002] It is common practice to inspect work pieces subsequent to production on a coordinate positioning apparatus, such as a coordinate measuring machine (CMM), in order to check for correctness of predefined object parameters, like dimensions and shape of the object. Moreover, a detection of a surface of an unknown object is of interest in many industrial applications. Such measurement typically also may be provided using a coordinate measuring machine or any other suitable type of scanning device.

[0003] In a conventional 3-D coordinate measurement machine, a probe head is supported for movement along three mutually perpendicular axes (in directions X, Y and Z). Thereby, the probe head can be guided to any arbitrary point in space of a measuring volume of the coordinate measuring machine and the object is measurable with a measurement sensor (probing unit) carried by the probe head. Such probing unit can be designed as a tactile probe or an optical sensor providing measurements of surfaces e.g. based on the principle of triangulation.

[0004] In a simple form of the machine a suitable transducer mounted parallel to each axis is able to determine the position of the probe head relative to a base of the machine and, therefore, to determine the coordinates of measurement points on the object being illuminated by the sensor. For providing movability of the probe head a typical coordinate measuring machine may comprise a frame structure on which the probe head is arranged and driving means for moving frame components of the frame structure relative to each other.

[0005] An advantage of using an optical sensor is that it is not in contact with the part and therefore does not deform it during the measurement or damage it, as may be the case with a tactile probe.

[0006] An advantage of using a line triangulation device in combination with a CMM for measuring a surface is the amount of distance information being received by one time step, i.e. distance values along the entire projected triangulation line can be determined and respective coordinates can be derived. Thus, by moving the sensor along a desired measuring path an object to be measured can entirely be scanned significantly faster.

[0007] Over the past 20 years, manually operated portable CMM systems, comprising typically four segments linked together with one or two rotation axes per linkage and a total of six or seven axes, have become popular for non repetitive measurement tasks on the shop floor. Line triangulation devices are also used on such portable CMMs to greatly increase data capture speed.

[0008] Other portable measurement devices where tri-

angulation units are used include optically tracked systems, either using multiple cameras to track the probe location and orientation or interferometric distance tracking devices, where the rotational axes of the probe are tracked using an additional camera.

Other applications for line triangulation sensors include fixed installations where an object is placed in front of the sensor or sensors and single line measurement(s) of the static object are made such that key features of the part can be captured in a single step without the need for expensive positioning systems.

Furthermore, a device for providing a topographic measurement of a surface can be embodied as a (hand-held) device comprising a triangulation sensor, wherein the device is guided along the surface to be measured - either manually or by a robot - and distance data is acquired by the sensor while moving the device. Additionally, the position and/or orientation of such device may continuously be determined (e.g. tracked) in a global coordinate system thus enabling a determination of absolute coordinates corresponding to the object's surface.

In general, triangulation provides a method for scanning a surface in fast and precise manner. Measuring devices working on that principle are for instance known from DE 10 2004 026 090 A1 or WO 2011/000435 A1.

A triangulation-based distance measuring unit with an image sensor having a non-linear sensitivity curve and a wide dynamic range is known from US 2008/094643 A1.

[0009] In particular, a line generated by a laser unit, e.g. by moving a laser point along such line or by providing a laser fan, is generated on an object to be measured and the light reflected from the surface is detected by a camera consisting of a light sensitive image sensor (light detector) and electronics to control the image sensor and read out the image. An image of the reflected light is captured and distance information according to the contour of the detected line is derived. Based thereon, topography of the object's surface can be determined.

[0010] For triangulation measurements with high precision, an illumination and detection of respectively reflected light has to be provided which comprises a required level of illumination and an adequate detection of the light information. For adjusting illumination so that the reflected light reaches the detector meeting its respective detection properties (e.g. signal-to-noise level and saturation limit) WO 2011/000435 A1 discloses an approach of an in-advanced illumination in order to determine a suitable illumination level for the measuring light.

WO 2007/125081 A1 discloses a further approach for actively controlling the power of illuminating light in dependency upon an intensity detected by a camera.

[0011] However, in case of regions to be illuminated which significantly differ regarding their reflecting properties there still remains the problem of providing a usable signal over the whole width of a projected laser line. Particularly, surfaces with low roughness, i.e. mirror-like sur-

faces such as chrome, are difficult to measure due to strong inhomogeneity of the reflected light toward the image sensor. In such cases, a suitable illumination still will reach its limits and, therefore, the precision of derived distance data would be further be low.

[0012] Moreover, the precision of laser triangulation is typically limited by the phenomenon of laser speckle. This results in a very strong random amplitude modulation of the image intensity and corresponding random noise in the measurements, also called Probing Dispersion in international standards such as ISO 10360-8.

[0013] It is therefore an object of the present invention to provide an improved method and triangulation measuring device for enabling an illumination of an object to be measured and a detection of reflected light so that reliable light information can be detected for the entire illuminated region.

[0014] Another object of the present invention is to provide a corresponding measuring device reducing the generation of laser speckles.

[0015] A third object of the present invention is to improve eye-safety, wherein a higher total laser power can be used and faster and more robust measurements, e.g. concerning precision and reliability of those measurements, are enabled.

[0016] These objects are achieved by realising the features of the independent claims. Features which further develop the invention in an alternative or advantageous manner are described in the dependent patent claims.

[0017] Laser triangulation sensors typically use a moving spot or a laser fan to measure the 3D location of points along the illuminated line by observing the shift of the line using a camera positioned at a certain baseline distance from the laser plane.

[0018] The present invention relates to a method for determining distances to an object to be measured based on the principle of triangulation. The method comprises generating and emitting a measuring light beam, directing the measuring light beam to the object to be measured, detecting a reflection of the measuring light from the object with respective pixels of an image sensor, e.g. (pixels) of an imaging assembly like a camera, during a defined detection sequence and deriving distance information based on the detected reflection. Of course, in scope of the present invention, the sensor may be designed as an assembly of particular (sub-) image sensors arranged (at different positions) to receive the reflected measuring light. Respective pixels may be pixels provided by the pixels of the entire sensor assembly.

[0019] By doing so, the light incident on the object is reflected (or scattered from rough surfaces) and then at least partially received by the image sensor, in particular by respective optics that image the emitted light, e.g. emitted as structured light e.g. in form of a light line, on the sensor. The pixels of the image sensor provide to determine a course of the projected light line on the sensor. Based on the illumination positions at the image sensor (i.e. the imaged course of the line or projected light)

distance information along the whole line can be derived which represents topography of the object regarding that line.

[0020] According to the invention, the detection sequence comprises a number of at least two exposure sub-sequences each defining a particular exposure period and saturation limit for the pixels of the image sensor. The exposure sub-sequences represent individual detection sequences and in their entirety provide the whole detection sequence. In particular, a first exposure sub-sequence is directly followed by a second such sub-sequence without having a read out and full reset of the image sensor, e.g. without having a break of light detection.

[0021] A successive exposure sub-sequence comprises a higher saturation limit than its prior exposure sub-sequence. With other word, the successive exposure sub-sequence is defined so that its allowed saturation level is higher than a respective saturation level of the prior sequence. Each saturation limit defines a maximum charging level of the pixels for the respective exposure sub-sequence, i.e. a maximum allowed charging for each pixel during the respective exposure sub-sequence.

[0022] The pixels are at least partly exposed by the reflected measuring light whereby the charge of each exposed pixel changes during exposure. Moreover, the charge of each pixel reaching at least one of the maximum charging levels during the detection sequence (e.g. the saturation limit of an initial exposure sub-sequence during that sequence or the saturation limit of an successive exposure sub-sequence during that successive sequence) is limited or reset according to the respective saturation limit for the period of the corresponding exposure sub-sequences.

[0023] Thus the charge of a pixel which reaches or exceeds the defined maximum charging level is kept at the maximum charging level during the respective exposure sub-sequence or is reset at the end of that exposure sub-sequence to that level for providing an ongoing charging with the successive exposure sub-sequence starting from the maximum charging level of the sequence before.

[0024] In particular, the exposure periods and saturation limits are defined so that a final total charge for substantially every pixel is below a maximum saturation level defined by a final of the exposure sub-sequences.

[0025] That approach allows detecting of the reflected or scattered light from the object surface so that reliable light information is acquired for the entire illuminated and received measuring region. Moreover, complex and slow mechanics of a point-scanner can be avoided while still being able to measure over a large dynamic range.

[0026] According to the invention, the measuring light beam is provided by a defined number of light pulses corresponding to the number of exposure sub-sequences of the detection sequence and the exposure sub-sequences and the light pulses are temporally adjusted so that each light pulse is emitted and/or detected during

one respective exposure period.

Furthermore, preferably if a high power pulse laser is used, the exposure periods of the exposure sub-sequences can be provided with equal lengths of time, in particular with the shortest time period available with a respective sensor. By that, the duration of the total detection sequence can be set very short thus enabling very fast determination of respective distance information and avoiding the phenomenon of motion-blur. Also, the image sensor's timing quantization may no longer be limiting the maximum dynamic range enhancement since the exposure level of each sub-sequence can be determined by the illumination pulse energy and not by the camera sub-sequence exposure time.

Setting equal durations for the sub-sequence may be done since the minimum sub-sequence-duration of the image sensor may be longer than respective laser pulses to be emitted for sufficient illumination. If the image sensor is designed to provide switching faster between modes or if longer pulses are needed (for instance due a smaller aperture) preferably different durations for respective sub-sequences may be set.

According to a further embodiment, successive light pulses for the detection sequence are generated with decreasing pulse energies, in particular wherein each pulse duration is temporally shorter than the respective sub-exposure period. Such adapted illumination sequence in combination with sequential increase of the pixels' saturation level provides suitable detection of both bright and dark regions of a triangulation light line due to providing a suitable charging level for each pixel.

Generally speaking, according to one approach of the present invention, the detection sequence and the light pulses are designed so that an illumination by the measuring light beam regarding a bright pixel of the image sensor causes a photon (charging) level for the bright pixel below a maximum saturation limit and an illumination by the measuring light beam regarding a dark pixel of the image sensor causes a photon (charging) level for the dark pixel above a defined signal-to-noise threshold. In context of light detection with a method of above, a respective image sensor is designed as a high dynamic range (HDR) sensor and in particular provides the sequential saturation increasing sequence. The timings for the respective detection and/or pulsed illumination process may be implemented with an FPGA or similar controller connected to the image sensor or performed by the sensor internally.

[0027] Concerning the generation and emission of the measuring light several devices may be provided for that. For instance, the measuring light beam may be generated by a (ordinary) light-emitting diode (LED), in particular comprising a spatial filter, in particular a masking with a slit, for providing a line-like emission of measuring light. Alternatively, the measuring light beam may be generated by a laser source, wherein the measuring light beam is provided as laser beam, in particular by a broad area laser (BAL), a super-luminescent diode (SLED) or a mul-

ti-mode laser source.

[0028] In context of an embodiment of the invention, a high power laser diode is used, the exposure sub-sequences (camera HDR segment) durations are fixed to the shortest possible (unless this is lower than the maximum laser pulse duration) and the laser pulses of decreasing energy are aligned with the camera HDR segments. Since the total camera exposure time can be very short then, even for large enhancements in dynamic range, motion blur can be neglected. It is to be understood in context of the present invention that exposure durations may be not set to the minimum durations but of course can be set longer if pulses have accordingly longer durations.

[0029] By using a broad area laser (BAL) which is "broad" - i.e. greater than ten micrometres - in one lateral direction comprising several transversal modes and aligning this with the direction of the projected laser line it is possible to keep the line well focused while reducing the spatial coherence and thus reduce the laser speckle. Speckle is often the limiting factor for noise in the measurement data and thus limits the probing dispersion error, so this kind of laser improves the precision of each measured point. Another benefit is that the remaining speckle noise is no longer as strongly dependent on the camera aperture, so a small aperture can be used.

[0030] Fully coherent laser triangulation devices known from prior art typically use a large camera aperture generating smaller speckles, preferably smaller than the pixel size, to reduce laser speckle influence, thus limiting the depth of field to a thin plane. Thanks to reduced speckle noise and improved eye safety, the present invention also enables laser triangulation devices with small apertures and thus e.g. multiple laser lines or tracking of photogrammetrical targets without introducing excessive speckle noise.

[0031] Since BALs are quite wide, they typically have a high power output (e.g. > 1 W optically). This feature also combines very well with the small aperture required for multi-line laser triangulation devices in that it allows motion-blur free acquisitions. Furthermore, the short exposure time is also beneficial when using the "multi-slope" HDR mode (providing exposure sub-sequences) in that it again reduces motion blur which may be difficult to handle since the HDR-scheme effects switch between different sensitivities in time and thus produces motion blur which is not the same for the whole image but rather dependent on each pixel's charging level. Also, experiments with current multi-slope HDR image sensors have shown that the shorter exposure time significantly reduces the extra fixed pattern noise introduced by the HDR mechanism.

[0032] According to an embodiment of the invention - for emitting the measuring light beam - measuring light is focussed regarding a first direction orthogonal to an emitting direction and the measuring light is diffused regarding a second direction orthogonal to the first direction and to the emitting direction. In particular, a vertically

focused and horizontally extended stripe of light is provided.

[0033] According to providing a suitable measuring beam, the measuring light beam is generated and emitted with a spatial coherence in the first direction and incoherent regarding the second direction, in particular wherein the measuring light beam comprises one spatial ground mode regarding the first direction and more than one spatial modes regarding the second direction, in particular several transversal modes regarding the second direction. Such beam properties may be generated by respective light forming or by use of a laser source which directly provides such a measuring beam.

[0034] A further aspect with view to adequately capturing features relates to an enhanced vertical point density by lateral sub-sampling. To better capture edges near-parallel to the laser line, the image data of the image sensor could be sub-sampled heavily by column or row "skipping" in one direction in order to increase the frame rate so that the most densely sampled lateral direction is no longer along the triangulation line but across it (i.e. in the direction of sensor travel). An additional benefit of this operation mode is that speckle noise from spots offset but overlapping in the baseline-parallel direction is anti-correlated. Thus, the averaged error will diminish faster than the $1/\sqrt{N}$ which would be expected for uncorrelated errors.

[0035] According to the invention, a method of above is particularly provided for a triangulation device, i.e. a line triangulation device either working independently e.g. on a production line for in process measurement, or coupled to an automated machine, like a CMM or CNC machine or robot, a manual CMM or located using an optical tracking method as described earlier.

[0036] The invention also relates to a triangulation-based distance measuring unit comprising a light emitting unit with a light source for generating measuring light and emitting a measuring beam, a light detection unit for detecting a reflection of the light beam from an object to be measured (of course more than one light detection unit may be arranged) and a controlling and processing unit for deriving distance information based on the detected reflection. The light source and the light detection unit are arranged with known position and orientation relative to each other.

[0037] According to the invention, the light detection unit comprises a high dynamic range (HDR) image sensor providing a light detection sequence with a series of at least two successive exposure sub-sequences each defining a particular exposure period and saturation limit for the pixels of the image sensor. A successive exposure sub-sequence comprises a higher saturation limit than its prior exposure sub-sequence and each saturation limit defines a maximum (allowed) charging level of the pixels for the respective exposure sub-sequence. The pixels of the image sensor are chargeable according to their exposure to the reflected measuring light so that the charge of each pixel reaching at least one of the maximum charg-

ing levels during the detection sequence is limited or reset according to the respective saturation limit for the period of the corresponding exposure sub-sequences.

[0038] The triangulation-based distance measuring unit or the controlling and processing unit of the distance measuring unit is in particular designed so that a method of above is executable with the measuring unit.

[0039] According to the invention, the controlling and processing unit is adapted to control triggering the detection sequence and control generating a number of light pulses by the light source corresponding to the number of exposure sub-sequences for the detection sequence, so that the exposure sub-sequences and the light pulses are temporally adjusted so that each light pulse is emitted and/or detected during one respective exposure period. By doing so, an adjusted emitting and receiving of measuring light can be provided by the measuring device so that one light pulse is detected within each exposure sequence and a respective illumination of the pixels is provided as well.

Concerning shaping of the measuring beam, the light emitting unit can comprise a beam forming assembly for providing the measuring beam by affecting propagation of the measuring light emittable by the light source, wherein the beam forming assembly can be arranged and designed so that the measuring light is focussed regarding a first direction (with a large divergence of about 0.4 radians, also called "fast axis") orthogonal to an emitting direction and so that the measuring light is diffused regarding a second direction (with a small divergence of about 0.1 radians, also called "slow axis") orthogonal to the first direction and to the emitting direction.

[0040] A sharp laser line may be provided by that, wherein an effective reduction of possibly occurring speckle effects is significantly reduced.

[0041] In particular, the beam forming assembly can comprise a cylindrical lens arranged and designed so that the focussing in the first direction is provided by the cylindrical lens and diffusing in the second direction is basically unaffected by the cylindrical lens. The focusing in the first direction could also be performed by shifting the laser collimation lens slightly away from the laser diode so that the light is slightly convergent instead of collimated, thus reducing the need of the separate cylindrical focusing lens. A slight divergence along the second direction due to astigmatism of the laser diode can be accepted.

[0042] Moreover, additionally or alternatively, the beam forming assembly may comprise at least one array of cylindrical lenses designed and arranged so that the diffusion in the second direction is provided by refraction properties of the cylindrical lenses of the at least one array and focussing in the first direction is basically unaffected by the at least one array. As illustrated below, a further optical element may be arranged in front of the lenslet array for spreading the laser beam in the second direction and thus providing an improved basis for further diffusing. A wider last diffuser can make the light spatially

less coherent, thus reducing speckle noise, and can also improve eye safety by spreading the emitted power over a larger area on the retina in case the user looks directly into the laser fan. In particular, to effectively reduce speckles the last diffuser should at least be similar in width to the camera aperture diameter.

[0043] Regarding the used light source, the light source can preferably be designed so that the measuring light is producible with a spatial coherence in the first direction and incoherent regarding the second direction, in particular wherein the light source may be designed so that the measuring light is producible comprising one spatial ground mode regarding the first direction and more than one spatial modes (several transversal modes) regarding the second direction.

[0044] More specifically, the light source can be represented by a light-emitting diode (LED), in particular comprising a spatial filter, in particular a masking with a slit. Alternatively, the light source can comprise or is designed as a laser source, wherein the emitted light is provided as laser light and the light beam is a laser beam, in particular as a broad area laser (BAL), a super-luminescent diode (SLED) or a multi-mode laser source.

[0045] In case the light source comprises a light-emitting diode or laser source, the light source may further comprise a collimation element having an asymmetric light-emitting aperture, wherein the collimation element is designed so that a length of the light-emitting aperture in the first direction is significantly smaller than in the second direction.

[0046] Now again referring to light detection using the HDR-sensor and to the emitting of light by the light source with the measuring device, the exposure periods of the exposure sub-sequences can be adapted to comprise equal lengths of time and/or successive light pulses for the detection sequence are generated with decreasing pulse durations.

[0047] In context of the approaches of above, according to an embodiment of the invention, laser power in general or pulse power can be adjusted based on a signal provided by receiving or capturing a respective image with the sensor (detection unit). Additionally or alternatively, exposure time may be controlled also based on the received light information. Such adjustments are performed for optimising properties for capturing a successive image. Moreover, not each successive but each second successive image (or even fewer images) can be used for such power and/or exposure adjustment.

The invention also related to a computer program product having computer-executable instructions implemented for executing and controlling determining distances to an object according to a method of above when run on a processing and controlling unit of a distance measuring unit as described.

The method and the device according to the invention are described or explained in more detail below, purely by way of example, with reference to working examples shown schematically in the drawings. Specifically,

fig. 1 shows a working principle of a triangulation device the present invention relates to;
 figs. 2a-b show methods of emitting measuring light and detecting reflected measuring light for performing a triangulation measurement;
 figs. 3a-c show a principle of forming measurement light for triangulation measurements according to the invention; and
 figs. 4a-b show an further embodiment of laser source and light forming elements according to the invention.

[0048] Fig. 1 shows the working principle of a triangulation device 1 according to the invention. The device 1 comprises a light emitting unit 2 and a light receiving unit 3, e.g. a camera, the relative positions and orientations of which are known. In other words, such laser triangulation is to send out light in one known direction from a known position and receive from a known position and measure the angle of the incoming light.

[0049] The light emitting unit 2 comprises a light source which may be represented by a laser diode for emitting laser light. Furthermore, the light emitting unit may comprise an optical unit for forming the emitted laser light so that a defined measuring beam 4 can be emitted. Preferably, such measuring beam is focussed according to a first direction (vertically) and diffused with respect to a second direction (horizontally), orthogonal to the first direction. By doing so, a laser line can be produced and projected onto an object 5 to be measured.

[0050] The light receiving or detecting unit 3 may comprise an optical assembly (e.g. imaging lens) as well to form and direct the reflected light 6 to an image sensor of that unit. The sensor preferably is designed as a CCD or CMOS sensor providing a pixel-array in form of a line or an area. The sensor is also preferably tilted according to the Scheimpflug criterion so that camera's object plane coincides with the illuminated plane so that all illuminated points are imaged sharply onto the sensor. The image sensor is designed being at least sensitive for light of a wavelength of the measuring light 5. The pixels of the image sensor are exposed by the incoming reflected light 6 and a course of the line at the object 5 can be derived based on the illuminated pixels of the sensor. That allows determining distances to the object's surface based on the knowledge of the relative positions of emitter 2 and detector 3 and the detected line, in particular based additionally on the properties of the optical assembly and the position of the detected line on the image sensor.

[0051] According to an alternative embodiment not shown here, the emitted beam 4 is emitted in a direction perpendicular to the housing, allowing to place an additional receiving unit at the left side of the emitting unit 2 in order to generate additional measuring data. There also can be arranged a third receiving unit 3 placed beside the emitting unit 2 at the same distance than the first one (and/or second one) or at different distances to achieve a higher robustness against the detection of ob-

jects with a strong contrast change (introducing a shift of the detected intensity centroid) or the detection of edges causing shadowing effects.

[0052] By moving the triangulation device 1 over the object 5, continuously receiving the reflected light 6 and processing signals provided by the image sensor, the surface of the object 5 can be measured in its entirety. In particular, such scanning is performed by a coordinate measuring machine (either motorized or hand-held) carrying the triangulation device 1 and moving it along a desired measuring path.

[0053] According to the invention, the light emitting unit 2 is controlled so that the measuring light 4 is emitted in pulsed manner and the receiver 3 provides a specific detection sequence for individually detecting reflections caused by each of the emitted pulses. Such detection enables to derive a suitable measuring signal for both bright illuminated pixels and pixels which remain despite their illumination quite dark. The detection process is described in more detail in context of figs. 2a and 2b. For checking if the object 5 to be measured is located within a defined measurement range (relating to a distance between the object and the measuring device) an optical visual guide can be projected within the measuring volume. That optical guide gives information (e.g. to an operator of the system) if the object 5 lies within a preferred measuring region (distance to the measuring device) or not. Such guide could be represented by a line of light being visually receivable and/or having e.g. particular light colour (wavelength) different from the wavelength of the measuring light. Depending on a relative position of that visual guide e.g. in a captured image the location of the object 5 with reference to the measuring range is provided. Such projection can be realised e.g. by illumination of a diffractive hologram as for instance known by the "Flexpoint DOE Series" of the company "Laser Components". Fig. 2a shows a method of emitting measuring light and detecting reflected measuring light for performing a triangulation measurement for triangulation purpose in a non-claimed example with a non-pulsed constant power light source.

The detection sequence for deriving a set of distance information according to a projected laser line starts at time t_0 . The curve 21 illustrates the controlling of the image sensor, which here preferably is designed as a high dynamic range CMOS (HDR-sensor). As can be seen, the saturation limit S_p for the pixels of the sensor is initially set to 33% of the maximum saturation of the sensor-pixels for an initial exposure period from t_0 to t_1 . That initial exposure period corresponds to a first exposure sub-sequence.

[0054] At t_1 the saturation level of the sensor-pixels is switched to a higher state, here to 66% of the maximum saturation, and hold for a second time period t_1 to t_2 . The second period is shorter than the initial one. Furthermore, at t_2 a third saturation level is applied which corresponds to the maximum allowed saturation of the pixels. The whole detection sequence ends at time t_e , wherein a de-

tection signal is provided which represents the illumination of the entire illuminated pixels.

[0055] Line 22 represents the illumination intensity of the object to be measured by the measuring unit. Here, the illumination intensity is kept constant over the detection sequence, i.e. a laser line is constantly emitted and directed to the object and reflected measuring laser light is received at the image sensor correspondingly.

[0056] The three lines 23, 24 (dashed) and 25 (dotted) represent the charging of three exemplarily depicted pixels of the image sensor due to the illumination with constant intensity. The object comprises three exemplarily different reflectivities in the areas targeted by the three pixels. The first pixel receives the lowest intensity light, and its charge represented by curve 23 increases quite moderate over time so that the charge of that pixel never reaches one of the defined saturation limits (33% until t_1 , 66% until t_2 and 100% until t_e). The final charging level of that pixel at t_e is below the maximum allowed saturation for the pixels and a reliable light information thus is detected by the sensor.

[0057] Now referring to the pixel represented by line 24, the charging level of the pixel increases faster compared to 23. Here, the pixel runs into the set saturation (33%) during the initial exposure period. As a consequence the charging level of that pixel is kept limited to the set saturation until t_1 , i.e. limited to a charging of the pixel up to 33% of a maximum allowed charge. In other words or alternatively, a kind of (partial) reset may be provided for that pixel, the reset affects the charge so that the charging level of the pixel corresponds to 33% of the maximum charge at the end of the first exposure sub-sequence.

[0058] As the pixel is still illuminated after t_1 , and as the saturation limit for the second exposure sub-sequence is increased up to 66%, the pixel (24) proceeds charging with a charging rate corresponding to the slope of the line 24. The saturation limit of the second period is not reached until t_2 so there is no further reset or limitation of the pixel's charge. At the end of the detection sequence (t_e) also the pixel of line 24 represents a charging state within limits of maximum saturation.

[0059] A corresponding limitation or partial resetting is also provided for the pixel receiving light of comparatively greatest brightness represented by line 25, wherein a double limitation (partial reset) occurs due to running into the defined saturation levels of both the first exposure sub-sequence (33%) and the second exposure sub-sequence (66%).

[0060] By defining the lengths of time for the exposure periods with decreasing extend as shown, a detection of also quite bright illuminated pixels (25) is reliably provided, as the charge of also the bright pixel (increasing according to the slope of line 25, i.e. according to the amount of light impinging onto the pixel per time) does not run into saturation at least for the final (shortest) exposure sub-sequence.

[0061] That detection approach in combination with a

measuring beam of constant illumination intensity for the object to be measured provides a detection of all illuminated pixels over a very large dynamic range, enabling accurate distance measurement along the entire laser line even on objects with large differences in reflectance.

[0062] Of course, it is to be understood in sense of the present invention that the number of exposure sub-sequences is not limited to three but the invention also relates to detection sequences with at least two exposure sub-sequences, i.e. two or more such sub-sequences. Correspondingly, the definition of the individual saturation limits (33%, 66%) may also vary due to a desired application, the number of sub-sequences and/or the provided light source. The same also applies for the temporal durations of the exposure sub-sequences.

[0063] However, the total length of time for the entire detection sequence, i.e. the time between t_0 and t_e , still can be improved by applying a preferred detection approach according to the invention as shown in the following fig. 2b. While the total exposure time with the approach described above depends on the image sensor timing resolution, such a limitation is no longer given by use of the approach of fig. 2b.

[0064] Fig. 2b shows a preferred method of illuminating an object to be measured and correspondingly detecting light reflected from the object according to the invention.

[0065] The image sensor used for that approach is preferably designed as a high (wide) dynamic range image sensor (HDR-sensor) having a defined number and constellation of detection pixels. Preferably, the sensor is built as an area image sensor (2D pixel grid).

[0066] The controlling of the image sensor, i.e. the duration and timing of three exposure sub-sequences (t_0 to t_1 , t_1 - t_2 and t_2 - t_e) and respectively defined saturation limits (33%, 66% and 100%), is represented by the curve 21'. Such exposure properties may directly be provided by an integrated controlling process of the sensor or may be defined by external controlling by an additional controlling unit. Of course, again, it is to be understood that mentioned settings for the exposure sub-sequences are variably definable, wherein at least two sub-sequences are defined according to the invention.

[0067] As a difference to the method of fig. 2a, the exposure periods here are defined to be of substantially equal duration, wherein the time periods are preferably set to be of shortest possible (given by respective sensor properties) duration. Both mentioned limitations are valid as long as this duration is longer than the required laser pulse duration. Or, speaking the other way round, if the sensor provides setting even shorter exposure periods, the duration of each exposure period can be set as short as the duration of a corresponding pulse is. By such an adaptation a significantly shorter overall exposure time t_0 to t_e is provided (e.g. of about 100 μ s) compared to a setting of the time periods according to fig. 2a (approximately about 10 ms). As a result, much faster acquisition of distance information with a greater frequency (resolution in time) can be provided which leads to more precise

representations of a measured surface. Moreover, the generation of motion blur can be significantly reduced or avoided this way.

[0068] In correspondence of setting the exposure sub-sequences like that (of (basically equal) shortest durations) the illumination of the object to be measured is adapted adequately in order to produce measuring data providing reliable and precise pixel information. The way of illumination, i.e. of emitting the measuring light, is shown with curve 22' (course of the illumination intensity I_1). In particular, as the exposure sequences are set to be much shorter compared to fig. 2a the respective amounts of light emitted and received are preferably designed to be significantly higher than in fig. 2a.

[0069] Thus, the measuring light here is no longer emitted in constant manner but is emitted as a pulsed measuring light, preferably as pulsed laser light. The pulses are adjusted so that one pulse is emitted for each exposure sub-sequence. The pulse energies decrease from exposure period to exposure period. For instance the pulse power can be kept basically constant at e.g. the maximum power of the laser diode while decreasing the pulse duration. Alternatively, the pulse durations may be kept constant while reducing the pulse powers. Of course, a combination of both approaches may be applied instead. Such light emitting in combination with the detection sub-sequences provides for charging of slightly and intensely illuminated pixels so that no maximum saturation of respective pixels is reached and suitable pixel information can be derived for each of the pixels.

[0070] Therefore, the controlling of pixel's illumination is mainly provided by applying and adjusting the light pulses and keeping the durations of the exposure sub-sequences constant, i.e. of basically equal durations.

[0071] The three lines 23', 24' (dashed) and 25' (dotted) represent the charging of three exemplarily depicted pixels of the sensor due to the illumination with pulsed measuring light. Curve 23' representing a pixel being of quite low illumination shows a charging of the respective pixel during the illumination in the first period t_0 to t_1 until the illumination intensity is reduced to zero (i.e. the end of the laser pulse). During illumination by the second pulse (within the second period t_1 to t_2) the pixel continues charging, starting from the level of the end of the first light pulse (as there is no further charging of the pixel during the period of no illumination, i.e. zero intensity). Furthermore, the charge increases also by emitting the third (shortest) laser pulse so that the final detection signal for that pixel is produced without having a respective saturation.

[0072] The same applies for the pixels represented by curves 24' and 25', wherein for those pixel further partial resets or limitations of charging states apply. This is because the pixels illuminations run into respective saturation limits (33% and 66%) set for the first and second exposure sub-sequence. The charging or illumination level for those pixels continues increasing in the successive exposure sub-sequence starting from the preceding

saturation limit. Such increase depends on the duration of the respective illumination (pulse duration) and the individual amount of measuring light impinging on the respective pixel per time step (i.e. slopes of the lines 23', 24' and 25').

[0073] Such procedure provides a detection of bright pixels (compare pixel represented by curve 25') and dark pixels (curve 23') with one common detection sequence so that none of the pixels runs into a maximum level of saturation (100%) and suitable and detectable pixel brightness is provided at the end t_e of the detection sequence.

[0074] According to an alternative embodiment, for adjusting the illumination amount of light for each exposure sub-sequence, not only the pulse duration but also the pulse power may particularly individually be adjusted.

[0075] Figs. 3a and 3b show a principle of forming measurement light for triangulation measurements according to the invention, wherein the measuring light is provided as a laser light beam, in particular for providing high illumination intensities especially for an illumination method according to fig. 2b.

[0076] Fig. 3a shows a side view of a light emitting unit 30 having a laser source 31 and a respective beam forming assembly 32. The laser source 31 here is designed as a broad area laser (BAL) (and a collimation lens).

[0077] Broad area lasers (BAL), also known as "broad stripe", "slab" or "broad emitter" laser diodes have a gain volume which is much wider in one lateral direction (here: second or horizontal direction). Compared to single-mode laser diodes which have gain regions which are small in both directions, a BAL emits a very high optical power (in the order of 1-10 W). A BAL can be used in pulsed mode with pulses typically below 100 ns.

[0078] In the wide direction, many spatial modes as well as longitudinal modes can coexist. In a narrow direction (here: first or vertical direction), preferably only one spatial ground mode propagates, and the laser can thus be focused down to a diffraction limited line focus. Furthermore, BALs are low cost and represent a suitable type of light source for this invention.

[0079] The beam forming assembly 32 comprises a cylindrical lens 33 which provides focussing the laser light 4 emitted by the laser source 31 in a first direction (the laser's fast axis, here called the vertical direction) perpendicular to the propagation direction of the laser light. The laser light 4 emitted comprises spatially coherence regarding this first direction. Alternatively, a light source may be used with very small extent as to the vertical direction or comprising an additional optical element which provides a corresponding small extent (e.g. a LED masked by a very thin slit).

[0080] The cylindrical lens 33 further allows to transmit the laser light 4 without any substantial influences regarding the beam shape in horizontal direction (perpendicular to the first and the propagation direction).

[0081] Thus, one-dimensional (vertical) focussing is achieved using cylindrical optics. The broad area laser

output can first be collimated by an aspherical (non-cylindrical) lens aligned and mounted permanently together with the broad area laser source. It is also possible to skip the collimator and use a stronger vertical focussing lens. Due to the strong divergence of the source, it may however more practical to first collimate the light so that further components can be positioned with more space.

[0082] In another embodiment of the present invention, the cylindrical lens 33 is omitted. Instead, the vertical focus is obtained by shifting the laser collimation lens forward. This also focuses the beam in the horizontal direction, but this effect can be neglected in comparison with the following horizontal diffusers.

[0083] The beam forming assembly 32 further comprises two cylindrical lenslet arrays 34,35 which substantially do not influence beam forming in vertical direction but which are positioned and aligned so that a beam forming in horizontal direction is enabled. Such beam forming in the second direction is shown with fig. 3b.

[0084] Fig. 3b shows the light emitting unit 30 in a top view, wherein beam formation regarding the second (horizontal) direction is illustrated. As mentioned, the influence on the emitted laser light 4 by the cylindrical lens 33 with respect to the second direction can be neglected.

However, the micro-lens arrays 34 and 35 affect the laser beam so that an extension of propagation (angle) in a horizontal plane is caused. The cylinder lens arrays do nearly not affect the quality of the vertical focusing. With other words, the laser beam is horizontally (in sense of the second direction or so called slow axis of the laser diode) diffused by interaction with the lenslet arrays 34,35. Diffusing in above context particularly means that each point or small region along a diffuser should illuminate the entire width of the line.

[0085] To further enhance the overlap of light emitted from all points on lenslet array 35, a lens 36 with refracting power in the horizontal plane can be added just before or after the lens-array 35 (e.g. a cylindrical lens). This lens preferably has a focal length essentially equal to the distance to lenslet array 34. Such arrangement is shown in fig. 3c in top view, wherein focussing in the vertical plane is basically provided by the laser source 31 (not shown). Thus, a cylindrical lens 33 as described above is not needed.

[0086] Diffusing as mentioned makes it impossible to focus light to one point in eye. Thus, the device provides better eye-safety and, by that, much more laser power can be used for illumination.

[0087] It is beneficial to use cylindrical lens arrays e.g. instead of single-surface large lenses since the tolerance on lateral positioning is much less strict. Having two diffusers (e.g. the two lenslet arrays 34,35 as shown) also reduces speckle by in effect converting several transversal modes to spatial incoherence. The first diffuser (which spreads the light to cover the second one) should have a pitch at least around five times smaller than the beam width to reduce effects of lateral positioning.

[0088] Furthermore, the array of cylindrical lenses and

the light source are preferably designed and arranged so that the measuring beam is emittable in form of a basically continuous line regarding its extension in the second direction. For that, the pitch of the first cylindrical lens array, the width of the laser diode and a laser collimation lens focal length can be chosen so that the projected diode width matches the diffraction angle of the lens array and the emitted line thus becomes continuous without any dark spots which could otherwise occur if the lens array pitch is too fine, the laser width too small or the collimator focal length too long. A too coarse array pitch, wide laser or short collimator focal length could on the other hand cause bright spots where two projections overlap, so it is optimal to choose these parameters exactly so that there is no overlap, or multiples of 100% overlap.

[0089] According to a specific embodiment, the configuration comprises one micro-lens array (comparatively small) in combination with a 10 mm exit aperture.

[0090] In particular, prior to final diffusion, the laser beam 4 is made "wide enough" to provide a large emitting surface. The initial width of the emitted (and collimated) beam 4 may for instance be about 1 mm in the second direction, while after widening it may be 10 mm at the diffuser 35. Several types of components can be used to widen the emitted beam 4, e.g. a further cylindrical lens, a lenslet array, a diffractive optical element or some kind of computer generated or natural hologram. If the source is a laser without collimation in the horizontal direction (slow axis), the beam may diverge fast enough that no extra optics is needed. The first lenslet array 34 may represent such beam spreading element, wherein the second lenslet array 35 represents the beam diffusing element.

[0091] Concerning the used laser diode and a possible focussing collimator, these may comprise asymmetric aperture. The aperture particularly is designed to be as large as possible along the line (to enhance efficiency), i.e. in horizontal direction, and additionally narrower across the line to increase and define depth of focus, as well as to improve focus quality. With a smaller NA it is possible to use a cheaper lens. Moreover, it is difficult to achieve a large depth of focus with only one lens without aperture since it would have to have a very short focal length. A lens with longer focal length with aperture improves pointing stability since magnification from laser position to beam angle is smaller. Since the aperture costs some (e.g. 60%) efficiency, it is beneficial to have a high power laser diode like a BAL.

[0092] Figs. 4a and 4b show an embodiment of the light source 31 according to the invention from different perspectives. Fig. 4a shows the laser source 31 and a lens array 34 in side view. The laser source 31 comprises a laser diode 31' and a (collimation) lens 31''. In addition, the laser source 31 comprises an aperture 37 of asymmetric shape. As can be seen in side view, the element 37 comprises comparatively small aperture, e.g. a quite narrow slit for light transmission, for providing large depth

of focussing in the first (vertical) direction. Such collimation element 37 further provides a large aperture in the second direction reduce losses for diffusion in the horizontal plane (fig. 4b). As collimation and spatial limitation of the laser beam with respect to the vertical direction can so be provided in sufficient manner, no further cylindrical lens for focusing is needed.

[0093] The focussing of the laser light in the vertical direction and diffusing in the horizontal direction leads to reduction of subjective speckles formation while providing a well defined line which is very suitable for triangulation measurements. Apart from lowering speckle noise and thus improving depth accuracy, the low-speckle illuminator also allows a much increased camera depth of field. The reason for this is that the speckle contrast no longer depends on the camera NA as it does with a fully coherent source.

In addition, relating to detection of the produced laser beam, specific camera optics may be provided with the image sensor. The camera optics may comprise a camera lens which may also have asymmetric aperture since optical resolution along line (horizontally) may be more critical than across. This also results in realising reduced exposure time and thus improves eye safety. Such camera lens may be anamorphic (different magnifications regarding the first and the second direction) to e.g. obtain a wider field of view.

Although the invention is illustrated above, partly with reference to some specific embodiments, it must be understood that numerous modifications and combinations of different features of the embodiments can be made and that the different features can be combined with each other or with triangulation principles and/or coordinate measuring machines known from prior art, within the scope of the invention as defined by the appended claims.

Claims

1. Method for determining distances to an object (5) to be measured based on the principle of triangulation, comprising
 - generating and emitting a measuring light beam (4),
 - directing the measuring light beam (4) to the object (5) to be measured,
 - detecting a reflection of the measuring light from the object (5) with respective pixels of an image sensor during a defined detection sequence, wherein the image sensor is designed as a high dynamic range, HDR, sensor, and
 - deriving distance information based on the detected reflection,

characterised in that

 - the detection sequence (t_0-t_e) comprises a number of at least two exposure sub-sequences

each defining a particular exposure period (t_0-t_1 , t_1-t_2 , t_2-t_e) and saturation limit for the pixels of the image sensor, wherein

- a successive exposure sub-sequence comprises a higher saturation limit than its prior exposure sub-sequence and
 - each saturation limit defines a maximum charging level of the pixels for the respective exposure sub-sequence,
- the pixels are at least partly exposed by the reflected measuring light whereby the charge of each exposed pixel changes,
 - the charge of each pixel reaching at least one of the maximum charging levels during the detection sequence (t_0-t_e) is limited or reset according to the respective saturation limit for the period of the corresponding exposure sub-sequence,
 - the measuring light beam is provided by a defined number of light pulses corresponding to the number of exposure sub-sequences of the detection sequence (t_0-t_e) and
 - the exposure sub-sequences and the light pulses are temporally adjusted so that each light pulse is emitted and/or detected during one respective exposure period (t_0-t_1 , t_1-t_2 , t_2-t_e).
2. Method according to claim 1, **characterised by**
- defining the exposure periods and saturation limits so that a final total charge for substantially every pixel is below a maximum saturation level defined by a final of the exposure sub-sequences, and/or
 - providing the exposure periods (t_0-t_1 , t_1-t_2 , t_2-t_e) of the exposure sub-sequences with equal lengths of time.
3. Method according to claim 1 or 2, **characterised in that** successive of the light pulses for the detection sequence (t_0-t_e) are generated with decreasing pulse durations, in particular wherein each pulse duration is temporally shorter than the respective exposure period (t_0-t_1 , t_1-t_2 , t_2-t_e).
4. Method according to any one of claims 1 to 3, **characterised in that** the image sensor provides the detection sequence (t_0-t_e).
5. Method according to any one of claims 1 to 4, **characterised by**
- for emitting the measuring light beam (4)-

- focussing measuring light regarding a first direction orthogonal to an emitting direction and
- diffusing the measuring light regarding a second direction orthogonal to the first direction and to the emitting direction,

in particular wherein a vertically focused and horizontally extended stripe of light is provided.

6. Method according to any one of claims 1 to 5, **characterised by** generating and emitting the measuring light beam (4) with a spatial coherence in the first direction and incoherent regarding the second direction, in particular wherein the measuring light beam comprises one spatial ground mode regarding the first direction and more than one spatial modes regarding the second direction.
7. Method according to any one of claims 1 to 6, **characterised by** the detection sequence (t_0-t_e) and the light pulses are designed so that
- an illumination by the measuring light beam regarding a bright pixel of the image sensor causes a charging level for the bright pixel below a maximum saturation limit and
 - an illumination by the measuring light beam regarding a dark pixel of the image sensor causes a charging level for the dark pixel above a defined signal-to-noise threshold.
8. Triangulation-based distance measuring unit (1) comprising
- a light emitting unit (2,30) with a light source (31) for generating measuring light and emitting a measuring beam (4),
 - a light detection unit (3) for detecting a reflection of the light beam from an object (5) to be measured and
 - a controlling and processing unit for deriving distance information based on the detected reflection,
- wherein the light emitting unit (2,30) and the light detection unit (3) are arranged with known relative position and orientation to each other, **characterised in that**
- the light detection unit (3) comprises a high dynamic range, HDR, image sensor providing a light detection sequence (t_0-t_e) with a series of at least two exposure sub-sequences each defining a particular exposure period (t_0-t_1 , t_1-t_2 , t_2-t_e) and saturation limit for pixels of

the image sensor, wherein

- a successive exposure sub-sequence comprises a higher saturation limit than its prior exposure sub-sequence,
 - each saturation limit defines a maximum charging level of the pixels for the respective exposure sub-sequence, and
 - the pixels are chargeable according to their exposure to the reflected measuring light (6) so that the charge of each pixel reaching at least one of the maximum charging levels during the detection sequence (t_0-t_e) is limited or reset according to the respective saturation limit for the period ($t_0-t_1, t_1-t_2, t_2-t_e$) of the corresponding exposure sub-sequences, and
- the controlling and processing unit is adapted to
- control triggering the detection sequence (t_0-t_e) and
 - control generating a number of light pulses by the light source corresponding to the number of exposure sub-sequences for the detection sequence (t_0-t_e),

so that the exposure sub-sequences and the light pulses are temporally adjusted so that each light pulse is emitted and/or detected during one respective exposure period ($t_0-t_1, t_1-t_2, t_2-t_e$).

9. Distance measuring unit (1) according to claim 8, characterised in that

- the exposure periods ($t_0-t_1, t_1-t_2, t_2-t_e$) of the exposure sub-sequences comprise equal lengths of time and/or
- successive light pulses for the detection sequence (t_0-t_e) are generated with decreasing pulse energy.

10. Distance measuring unit (1) according to claim 8 or 9, characterised in that

the light emitting unit (2,30) comprises a beam forming assembly (32) for providing the measuring beam (4) by affecting propagation of the measuring light emittable by the light source (31), wherein the beam forming assembly (32) is arranged and designed so that

- the measuring light is focussed regarding a first direction orthogonal to an emitting direction and
- the measuring light is diffused regarding a second direction orthogonal to the first direction and to the emitting direction.

11. Distance measuring unit (1) according to claim 10, characterised in that
the beam forming assembly (32) comprises

- a cylindrical lens (33) arranged and designed so that the focussing in the first direction is provided by the cylindrical lens (33) and diffusing in the second direction is basically unaffected by the cylindrical lens, and/or
- at least one array (34,35) of cylindrical lenses designed and arranged so that the diffusion in the second direction is provided by refraction properties of the cylindrical lenses of the at least one array and focussing in the first direction is basically unaffected by the at least one array, in particular wherein the array (34,35) of cylindrical lenses and the light source (31) are designed and arranged so that the measuring beam is emittable in form of a basically continuous line regarding its extension in the second direction, and/or
- a collimation lens (31'') arranged and designed so that the focussing in the first direction is provided by the collimation lens (31'').

12. Distance measuring unit (1) according to any one of the claims 8 to 11,

characterised in that

the light source (31) is designed so that the measuring light is producible with a spatial coherence in the first direction and incoherent regarding the second direction, in particular wherein the light source (31) is designed so that the measuring light is producible comprising one spatial ground mode regarding the first direction and more than one spatial modes regarding the second direction, in particular several transversal modes regarding the second direction.

13. Distance measuring unit (1) according to any one of the claims 8 to 12,

characterised in that

the light source (31) comprises or is represented by

- a light-emitting diode, in particular comprising a spatial filter, in particular a masking with a slit, or by
- a laser source, wherein the emitted light is provided as laser light and the light beam is a laser beam, in particular by

- a broad area laser (BAL),
- a super-luminescent diode (SLED) or
- a multi-mode laser source,

in particular wherein

- in case the light source (31) comprises a light-

emitting diode or laser source - the light source (31) further comprises a collimation element (37) having asymmetric light-emitting aperture, wherein the collimation element (37) is designed so that a length of the light-emitting aperture in the first direction is significantly smaller than in the second direction.

14. Distance measuring unit (1) according to any one of the claims 8 to 13, **characterised in that** the light detection unit (3) additionally comprises a lens, wherein the image sensor is arranged relative to the lens according to the Scheimpflug criterion, in particular considering a predefined illumination plane.
15. Computer program product having computer-executable instructions implemented for executing and/or respectively controlling determining distances to an object (5) according to a method according to any one of the claims 1 to 7 when run on a controlling and processing unit of a distance measuring unit (1) according to any one of the claims 8 to 14.

Patentansprüche

1. Verfahren zum Bestimmen von Entfernungen zu einem zu messenden Objekt (5) basierend auf dem Triangulationsprinzip, umfassend:
- Erzeugen und Aussenden eines Messlichtstrahls (4),
 - Richten des Messlichtstrahls (4) auf das zu messende Objekt (5),
 - Detektieren einer Reflexion des Messlichts von dem Objekt (5) mit jeweiligen Pixeln eines Bildsensors während einer definierten Detektionssequenz, wobei der Bildsensor als Sensor mit hohem Dynamikbereich - HDR-Sensor - ausgelegt ist, und
 - Ableiten von Entfernungsinformationen basierend auf der detektierten Reflexion, **dadurch gekennzeichnet, dass**
 - die Detektionssequenz (t_0-t_e) eine Anzahl von wenigstens zwei Belichtungs-Untersequenzen umfasst, die jeweils einen speziellen Belichtungszeitraum (t_0-t_1 , t_1-t_2 , t_2-t_e) und eine spezielle Sättigungsgrenze für die Pixel des Bildsensors definieren, wobei
- eine nachfolgende Belichtungs-Untersequenz eine höhere Sättigungsgrenze als ihre vorherige Belichtungs-Untersequenz umfasst und
 - jede Sättigungsgrenze einen maximalen Ladungspegel der Pixel für die jeweilige Be-

lichtungs-Untersequenz definiert,

- die Pixel wenigstens teilweise durch das reflektierte Messlicht belichtet werden, wodurch sich die Ladung jedes belichteten Pixels verändert,
- die Ladung jedes Pixels, das während der Detektionssequenz (t_0-t_e) wenigstens einen der maximalen Ladungspegel erreicht, in Abhängigkeit von der jeweiligen Sättigungsgrenze für den Zeitraum der entsprechenden Belichtungs-Untersequenz begrenzt oder zurückgesetzt wird,
- der Messlichtstrahl durch eine definierte Anzahl von Lichtimpulsen bereitgestellt wird, die der Anzahl von Belichtungs-Untersequenzen der Detektionssequenz (t_0-t_e) entspricht, und
- die Belichtungs-Untersequenzen und die Lichtimpulse zeitlich abgestimmt werden, so dass jeder Lichtimpuls während eines jeweiligen Belichtungszeitraums (t_0-t_1 , t_1-t_2 , t_2-t_e) ausgesendet und/oder detektiert wird.

2. Verfahren nach Anspruch 1, **gekennzeichnet durch**

- das Definieren der Belichtungszeiträume und Sättigungsgrenzen, sodass eine endgültige Gesamtladung für im Wesentlichen jedes Pixel unter einem maximalen Sättigungspegel liegt, der durch eine letzte der Belichtungs-Untersequenzen definiert wird, und/oder
- das Bereitstellen der Belichtungszeiträume (t_0-t_1 , t_1-t_2 , t_2-t_e) der Belichtungs-Untersequenzen mit gleichen Zeitlängen.

3. Verfahren nach Anspruch 1 oder 2, **dadurch gekennzeichnet, dass** aufeinanderfolgende der Lichtimpulse für die Detektionssequenz (t_0-t_e) mit abnehmenden Impulsdauern erzeugt werden, wobei insbesondere jede Impulsdauer zeitlich kürzer als der jeweilige Belichtungszeitraum (t_0-t_1 , t_1-t_2 , t_2-t_e) ist.

4. Verfahren nach einem der Ansprüche 1 bis 3, **dadurch gekennzeichnet, dass** der Bildsensor die Detektionssequenz (t_0-t_e) bereitstellt.

5. Verfahren nach einem der Ansprüche 1 bis 4, **gekennzeichnet durch**

- zum Aussenden des Messlichtstrahls (4) -

- das Fokussieren des Messlichts bezüglich einer ersten Richtung im rechten Winkel zu einer Aussenderichtung und
- das Streuen des Messlichts bezüglich einer zweiten Richtung im rechten Winkel zu

- der ersten Richtung und zu der Aussenderichtung,
- wobei insbesondere ein vertikal fokussierter und horizontal ausgedehnter Lichtstreifen bereitgestellt wird. 5
6. Verfahren nach einem der Ansprüche 1 bis 5, **gekennzeichnet durch** 10
das Erzeugen und Aussenden des Messlichtstrahls (4) mit einer räumlichen Kohärenz in der ersten Richtung und inkohärent bezüglich der zweiten Richtung, wobei der Messlichtstrahl insbesondere eine räumliche Grundmode bezüglich der ersten Richtung und mehr als eine räumliche Mode bezüglich der zweiten Richtung umfasst. 15
7. Verfahren nach einem der Ansprüche 1 bis 6, **dadurch gekennzeichnet, dass** 20
die Detektionssequenz (t_0-t_e) und die Lichtimpulse derart ausgelegt sind, dass
- eine Beleuchtung durch den Messlichtstrahl bezüglich eines hellen Pixels des Bildsensors einen Ladungspegel für das helle Pixel unter einer maximalen Sättigungsgrenze bewirkt und 25
 - eine Beleuchtung durch den Messlichtstrahl bezüglich eines dunklen Pixels des Bildsensors einen Ladungspegel für das dunkle Pixel über einer definierten Signal-Rausch-Schwelle bewirkt. 30
8. Triangulationsbasierte Entfernungsmessungseinheit (1), umfassend: 35
- eine lichtaussendende Einheit (2, 30) mit einer Lichtquelle (31) zum Erzeugen von Messlicht und zum Aussenden eines Messstrahls (4),
 - eine Lichtdetektionseinheit (3) zum Detektieren einer Reflexion des Lichtstrahls von einem zu messenden Objekt (5) und 40
 - eine Steuerungs- und Verarbeitungseinheit zum Ableiten von Entfernungsinformationen basierend auf der detektierten Reflexion, wobei die lichtaussendende Einheit (2, 30) und die Lichtdetektionseinheit (3) mit einer bekannten relativen Position und Ausrichtung zueinander angeordnet sind, 45
- dadurch gekennzeichnet, dass**
- die Lichtdetektionseinheit (3) einen Bildsensor mit hohem Dynamikbereich - HDR-Sensor - umfasst, der eine Lichtdetektionssequenz (t_0-t_e) mit einer Reihe von wenigstens zwei Belichtungs-Untersequenzen bereitstellt, die jeweils einen speziellen Belichtungszeitraum (t_0-t_1 , t_1-t_2 , t_2-t_e) und eine spezielle Sättigungsgrenze für die Pixel des Bildsensors definieren, wobei 50
- eine nachfolgende Belichtungs-Untersequenz eine höhere Sättigungsgrenze als ihre vorherige Belichtungs-Untersequenz umfasst,
 - jede Sättigungsgrenze einen maximalen Ladungspegel der Pixel für die jeweilige Belichtungs-Untersequenz definiert, und
 - die Pixel in Abhängigkeit von ihrer Belichtung mit dem reflektierten Messlicht (6) derart ladbar sind, dass die Ladung jedes Pixels, das während der Detektionssequenz (t_0-t_e) wenigstens einen der maximalen Ladungspegel erreicht, in Abhängigkeit von der jeweiligen Sättigungsgrenze für den Zeitraum (t_0-t_1 , t_1-t_2 , t_2-t_e) der entsprechenden Belichtungs-Untersequenzen begrenzt oder zurückgesetzt wird, und
- die Steuerungs- und Verarbeitungseinheit dafür eingerichtet ist,
 - die Auslösung der Detektionssequenz (t_0-t_e) zu steuern und
 - die Erzeugung einer Anzahl von Lichtimpulsen durch die Lichtquelle zu steuern, die der Anzahl von Belichtungs-Untersequenzen für die Detektionssequenz (t_0-t_e) entspricht,
- sodass die Belichtungs-Untersequenzen und die Lichtimpulse zeitlich abgestimmt sind, sodass jeder Lichtimpuls während eines jeweiligen Belichtungszeitraums (t_0-t_1 , t_1-t_2 , t_2-t_e) ausgesendet und/oder detektiert wird. 55
9. Entfernungsmessungseinheit (1) nach Anspruch 8, **dadurch gekennzeichnet, dass**
- die Belichtungszeiträume (t_0-t_1 , t_1-t_2 , t_2-t_e) der Belichtungs-Untersequenzen gleiche Zeitlängen umfassen und/oder
 - aufeinanderfolgende Lichtimpulse für die Detektionssequenz (t_0-t_e) mit abnehmender Impulsenergie erzeugt werden.
10. Entfernungsmessungseinheit (1) nach Anspruch 8 oder 9, **dadurch gekennzeichnet, dass**
die lichtaussendende Einheit (2, 30) eine Strahlformungsbaugruppe (32) zum Bereitstellen des Messstrahls (4) umfasst, indem die Ausbreitung des Messlichts, das durch die Lichtquelle (31) ausgesendet werden kann, beeinflusst wird, wobei die Strahlformungsbaugruppe (32) derart angeordnet und ausgelegt ist, dass
- das Messlicht bezüglich einer ersten Richtung im rechten Winkel zu einer Aussenderichtung

fokussiert wird und

- das Messlicht bezüglich einer zweiten Richtung im rechten Winkel zu der ersten Richtung und zu der Aussenderichtung gestreut wird.

- 5
11. Entfernungsmessungseinheit (1) nach Anspruch 10, **dadurch gekennzeichnet, dass** die Strahlformungsbaugruppe (32) Folgendes umfasst:

- 10
- eine zylindrische Linse (33), die derart angeordnet und ausgelegt ist, dass die Fokussierung in der ersten Richtung durch die zylindrische Linse (33) bereitgestellt wird und die Streuung in der zweiten Richtung durch die zylindrische Linse grundsätzlich unbeeinflusst bleibt, und/oder
 - wenigstens eine Anordnung (34, 35) von zylindrischen Linsen, die derart ausgelegt und angeordnet ist, dass die Streuung in der zweiten Richtung durch Brecheigenschaften der zylindrischen Linsen der wenigstens einen Anordnung bereitgestellt wird und die Fokussierung in der ersten Richtung durch die wenigstens eine Anordnung grundsätzlich unbeeinflusst bleibt, wobei die Anordnung (34, 35) von zylindrischen Linsen und die Lichtquelle (31) insbesondere derart ausgelegt und angeordnet sind, dass der Messstrahl in Form einer grundsätzlich durchgehenden Linie bezüglich seiner Erstreckung in der zweiten Richtung ausgesendet werden kann, und/oder
 - eine Kollimationslinse (31"), die derart angeordnet und ausgelegt ist, dass die Fokussierung in der ersten Richtung durch die Kollimationslinse (31") bereitgestellt wird.

- 15
- 20
- 25
- 30
- 35
- 40
12. Entfernungsmessungseinheit (1) nach einem der Ansprüche 8 bis 11, **dadurch gekennzeichnet, dass** die Lichtquelle (31) derart ausgelegt ist, dass das Messlicht mit einer räumlichen Kohärenz in der ersten Richtung und inkohärent bezüglich der zweiten Richtung erzeugt werden kann, wobei die Lichtquelle (31) insbesondere derart ausgelegt ist, dass das Messlicht derart erzeugt werden kann, dass es eine räumliche Grundmode bezüglich der ersten Richtung und mehr als eine räumliche Mode bezüglich der zweiten Richtung, insbesondere mehrere Transversalmoden bezüglich der zweiten Richtung, umfasst.

- 45
- 50
- 55
13. Entfernungsmessungseinheit (1) nach einem der Ansprüche 8 bis 12, **dadurch gekennzeichnet, dass** die Lichtquelle (31) Folgendes umfasst oder durch Folgendes repräsentiert wird:

- eine Leuchtdiode, insbesondere umfassend

einen räumlichen Filter, insbesondere eine Maskierung mit einem Schlitz, oder

- eine Laserquelle, wobei das ausgesendete Licht als Laserlicht bereitgestellt wird und der Lichtstrahl ein Laserstrahl ist, insbesondere

- einen Breitstreifenlaser (BAL),
- eine Superlumineszenzdiode (SLED) oder
- eine Multimoden-Laserquelle,

wobei insbesondere

- im Fall, dass die Lichtquelle (31) eine Leuchtdiode oder eine Laserquelle umfasst - die Lichtquelle (31) ferner ein Kollimationselement (37) umfasst, das eine asymmetrische lichtscheidende Öffnung aufweist, wobei das Kollimationselement (37) derart ausgelegt ist, dass eine Länge der lichtscheidenden Öffnung in der ersten Richtung signifikant kleiner ist als in der zweiten Richtung.

14. Entfernungsmessungseinheit (1) nach einem der Ansprüche 8 bis 13, **dadurch gekennzeichnet, dass** die Lichtdetektionseinheit (3) zusätzlich eine Linse umfasst, wobei der Bildsensor relativ zu der Linse gemäß dem Scheimpflug-Kriterium, insbesondere im Hinblick auf eine vordefinierte Beleuchtungsebene, angeordnet ist.

15. Computerprogrammprodukt mit computerausführbaren Befehlen, die jeweils zur Ausführung und/oder Steuerung der Bestimmung von Entfernungen zu einem Objekt (5) gemäß einem Verfahren nach einem der Ansprüche 1 bis 7 implementiert sind, wenn sie in einer Steuerungs- und Verarbeitungseinheit einer Entfernungsmessungseinheit (1) nach einem der Ansprüche 8 bis 14 ausgeführt werden.

Revendications

1. Procédé de détermination de distances à un objet (5) à mesurer basé sur le principe de la triangulation, comprenant les étapes consistant à :

- générer et émettre un faisceau de lumière de mesure (4),
- diriger le faisceau de lumière de mesure (4) vers l'objet (5) à mesurer,
- détecter une réflexion de la lumière de mesure à partir de l'objet (5) avec des pixels respectifs d'un capteur d'images pendant une séquence de détection définie, le capteur d'images étant conçu comme un capteur à grande gamme dynamique, HDR, et

- dériver des informations de distance sur la base de la réflexion détectée, **caractérisé en ce que**
 - la séquence de détection (t_0-t_e) comprend un nombre d'au moins deux sous-séquences d'exposition définissant chacune une période d'exposition particulière (t_0-t_1 , t_1-t_2 , t_2-t_e) et une limite de saturation pour les pixels du capteur d'images, dans lequel
 - une sous-séquence d'exposition successive comprend une limite de saturation plus élevée que sa sous-séquence d'exposition précédente et
 - chaque limite de saturation définit un niveau de charge maximal des pixels pour la sous-séquence d'exposition respective,
 - les pixels sont au moins partiellement exposés par la lumière de mesure réfléchiée, ce qui modifie la charge de chaque pixel exposé,
 - la charge de chaque pixel atteignant au moins un des niveaux de charge maximaux pendant la séquence de détection (t_0-t_e) est limitée ou réinitialisée en fonction de la limite de saturation respective pour la période de la sous-séquence d'exposition correspondante,
 - le faisceau de lumière de mesure est fourni par un nombre défini d'impulsions lumineuses correspondant au nombre de sous-séquences d'exposition de la séquence de détection (t_0-t_e) et
 - les sous-séquences d'exposition et les impulsions lumineuses sont ajustées dans le temps de telle sorte que chaque impulsion lumineuse soit émise et/ou détectée pendant une période d'exposition respective (t_0-t_1 , t_1-t_2 , t_2-t_e).
2. Procédé selon la revendication 1, **caractérisé par** les étapes consistant à :
- définir les périodes d'exposition et les limites de saturation de telle sorte qu'une charge totale finale pour sensiblement chaque pixel soit inférieure à un niveau de saturation maximal défini par une dernière des sous-séquences d'exposition, et/ou
 - prévoir les périodes d'exposition (t_0-t_1 , t_1-t_2 , t_2-t_e) des sous-séquences d'exposition avec des durées égales.
3. Procédé selon la revendication 1 ou 2, **caractérisé en ce que** des impulsions lumineuses successives pour la séquence de détection (t_0-t_e) sont générées avec des durées d'impulsion décroissantes, en particulier dans lequel chaque durée d'impulsion est temporairement plus courte que la période d'exposition res-
- pective (t_0-t_1 , t_1-t_2 , t_2-t_e).
4. Procédé selon l'une quelconque des revendications 1 à 3, **caractérisé en ce que** le capteur d'images fournit la séquence de détection (t_0-t_e).
5. Procédé selon l'une quelconque des revendications 1 à 4, **caractérisé par** les étapes consistant à :
- pour l'émission du faisceau de lumière de mesure (4) -
 - focaliser la lumière de mesure concernant une première direction orthogonale à la direction d'émission et
 - diffuser la lumière de mesure concernant une deuxième direction orthogonale à la première direction et à la direction d'émission,
- en particulier dans lequel une bande de lumière focalisée verticalement et étendue horizontalement est prévue.
6. Procédé selon l'une quelconque des revendications 1 à 5, **caractérisé par** les étapes consistant à : générer et émettre le faisceau de lumière de mesure (4) avec une cohérence spatiale dans la première direction et de manière incohérente concernant la deuxième direction, en particulier dans lequel le faisceau de lumière de mesure comprend un mode spatial fondamental concernant la première direction et plus d'un mode spatial concernant la deuxième direction.
7. Procédé selon l'une quelconque des revendications 1 à 6, **caractérisé en ce que** la séquence de détection (t_0-t_e) et les impulsions lumineuses sont conçues de telle sorte que
- un éclairage par le faisceau de lumière de mesure concernant un pixel lumineux du capteur d'images entraîne un niveau de charge pour le pixel lumineux inférieur à une limite de saturation maximale et
 - un éclairage par le faisceau de lumière de mesure concernant un pixel sombre du capteur d'images entraîne un niveau de charge pour le pixel sombre supérieur à un seuil de rapport signal/bruit défini.
8. Unité de mesure de distance basée sur la triangulation (1) comprenant :

- une unité d'émission de lumière (2, 30) avec une source de lumière (31) pour générer une lumière de mesure et émettre un faisceau de mesure (4),
 - une unité de détection de lumière (3) pour détecter une réflexion du faisceau de lumière à partir d'un objet (5) à mesurer et
 - une unité de commande et de traitement pour dériver des informations de distance sur la base de la réflexion détectée,
- dans laquelle l'unité d'émission de lumière (2, 30) et l'unité de détection de lumière (3) sont disposées avec une position et une orientation relatives connues l'une par rapport à l'autre,
- caractérisée en ce que**
- l'unité de détection de lumière (3) comprend un capteur d'images à grande gamme dynamique, HDR, fournissant une séquence de détection de lumière (t_0-t_e) avec une série d'au moins deux sous-séquences d'exposition définissant chacune une période d'exposition particulière (t_0-t_1 , t_1-t_2 , t_2-t_e) et une limite de saturation pour les pixels du capteur d'images, dans laquelle

une sous-séquence d'exposition successive comporte une limite de saturation plus élevée que sa sous-séquence d'exposition précédente,

chaque limite de saturation définit un niveau de charge maximal des pixels pour la sous-séquence d'exposition respective, et

les pixels peuvent être chargés en fonction de leur exposition à la lumière de mesure réfléchi (6), de telle sorte que la charge de chaque pixel atteignant au moins un des niveaux de charge maximaux pendant la séquence de détection (t_0-t_e) soit limitée ou réinitialisée en fonction de la limite de saturation respective pour la période (t_0-t_1 , t_1-t_2 , t_2-t_e) des sous-séquences d'exposition correspondantes, et

- l'unité de commande et de traitement est adaptée à :

commander le déclenchement de la séquence de détection (t_0-t_e) et

commander la génération d'un nombre d'impulsions lumineuses par la source de lumière correspondant au nombre de sous-séquences d'exposition pour la séquence de détection (t_0-t_e),

de sorte que les sous-séquences d'exposition et les impulsions lumineuses sont ajustées dans le temps de telle sorte que chaque impulsion lumineuse soit émise et/ou détectée pendant une période d'exposition respective (t_0-t_1 , t_1-t_2 , t_2-t_e).

9. Unité de mesure de distance (1) selon la revendication 8,

caractérisée en ce que

• les périodes d'exposition (t_0-t_1 , t_1-t_2 , t_2-t_e) des sous-séquences d'exposition comprennent des durées égales et/ou

• des impulsions lumineuses successives pour la séquence de détection (t_0-t_e) sont générées avec une énergie d'impulsion décroissante.

10. Unité de mesure de distance (1) selon la revendication 8 ou 9,

caractérisée en ce que

l'unité d'émission de lumière (2, 30) comprend un ensemble de formation de faisceau (32) pour fournir le faisceau de mesure (4) en affectant la propagation de la lumière de mesure pouvant être émise par la source de lumière (31), l'ensemble de formation de faisceau (32) étant disposé et conçu de telle sorte que :

• la lumière de mesure soit focalisée concernant une première direction orthogonale à une direction d'émission et

• la lumière de mesure soit diffusée concernant une deuxième direction orthogonale à la première direction et à la direction d'émission.

11. Unité de mesure de distance (1) selon la revendication 10,

caractérisée en ce que

l'ensemble de formation de faisceau (32) comprend :

• une lentille cylindrique (33) disposée et conçue de telle sorte que la focalisation dans la première direction soit assurée par la lentille cylindrique (33) et que la diffusion dans la deuxième direction ne soit pratiquement pas affectée par la lentille cylindrique, et/ou

• au moins un réseau (34, 35) de lentilles cylindriques conçu et disposé de telle sorte que la diffusion dans la deuxième direction soit assurée par les propriétés de réfraction des lentilles cylindriques dudit au moins un réseau et que la focalisation dans la première direction ne soit pratiquement pas affectée par ledit au moins un réseau, en particulier dans laquelle le réseau (34, 35) de lentilles cylindriques et la source de lumière (31) sont conçus et disposés de telle sorte que le faisceau de mesure puisse être émis sous la forme d'une ligne pratiquement continue concernant son extension dans la deuxième direction, et/ou

• une lentille de collimation (31") disposée et conçue de telle sorte que la focalisation dans la première direction soit assurée par la lentille de collimation (31").

12. Unité de mesure de distance (1) selon l'une quelconque des revendications 8 à 11, **caractérisée en ce que** la source de lumière (31) est conçue de telle sorte que la lumière de mesure puisse être produite avec une cohérence spatiale dans la première direction et de manière incohérente concernant la deuxième direction, en particulier dans laquelle la source de lumière (31) est conçue de telle sorte que la lumière de mesure puisse être produite en comprenant un mode spatial fondamental concernant la première direction et plus d'un mode spatial concernant la deuxième direction, en particulier plusieurs modes transversaux concernant la deuxième direction. 5
10
15
13. Unité de mesure de distance (1) selon l'une quelconque des revendications 8 à 12, **caractérisée en ce que** la source de lumière (31) comprend ou est représentée par : 20
- une diode électroluminescente, en particulier comprenant un filtre spatial, en particulier un masquage avec une fente, ou par
 - une source laser, la lumière émise étant fournie sous forme de lumière laser et le faisceau de lumière étant un faisceau laser, en particulier par
 - un laser à ruban large (BAL),
 - une diode superluminescente (SLED) ou
 - une source laser multimode,
- 25
30
- en particulier dans laquelle dans le cas où la source de lumière (31) comprend une diode électroluminescente ou une source laser, la source de lumière (31) comprend en outre un élément de collimation (37) ayant une ouverture d'émission de lumière asymétrique, l'élément de collimation (37) est conçu de telle sorte qu'une longueur de l'ouverture d'émission de lumière dans la première direction soit sensiblement plus petite que dans la deuxième direction. 35
40
14. Unité de mesure de distance (1) selon l'une quelconque des revendications 8 à 13, **caractérisée en ce que** l'unité de détection de lumière (3) comprend en outre une lentille, le capteur d'images étant disposé par rapport à la lentille selon le critère de Scheimpflug, en particulier en tenant compte d'un plan d'éclairage prédéfini. 45
50
15. Produit programme d'ordinateur comportant des instructions exécutables par ordinateur, mis en oeuvre pour exécuter et/ou commander la détermination de distances à un objet (5) selon un procédé selon l'une quelconque des revendications 1 à 7 lorsqu'il est exécuté sur une unité de commande et de traitement 55

d'une unité de mesure de distance (1) selon l'une quelconque des revendications 8 à 14.

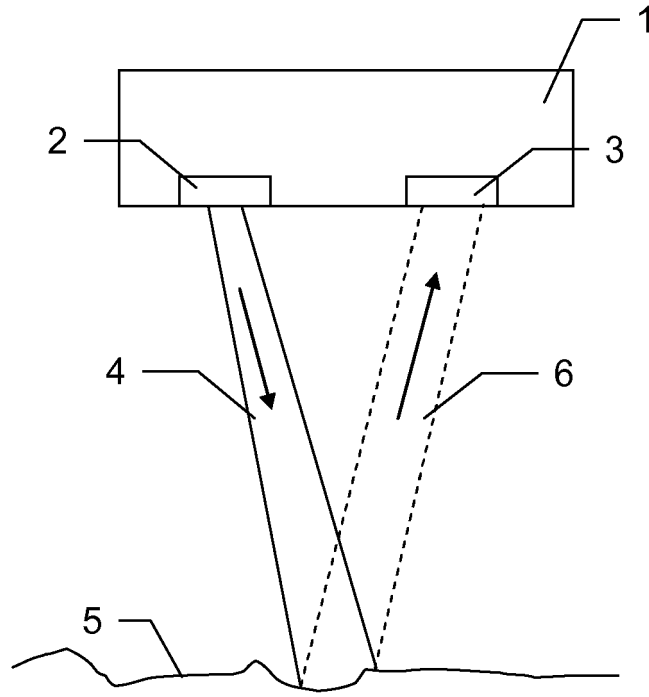


Fig. 1

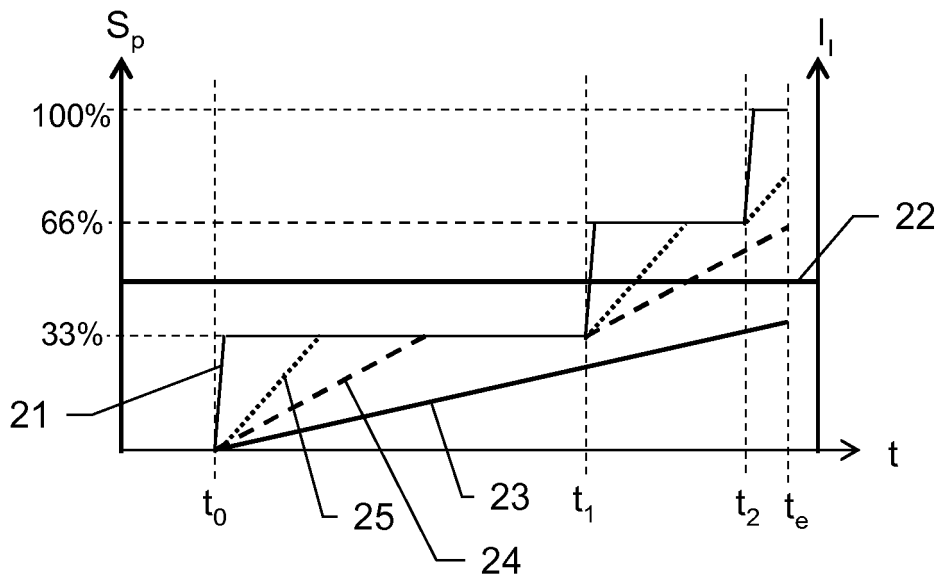


Fig. 2a

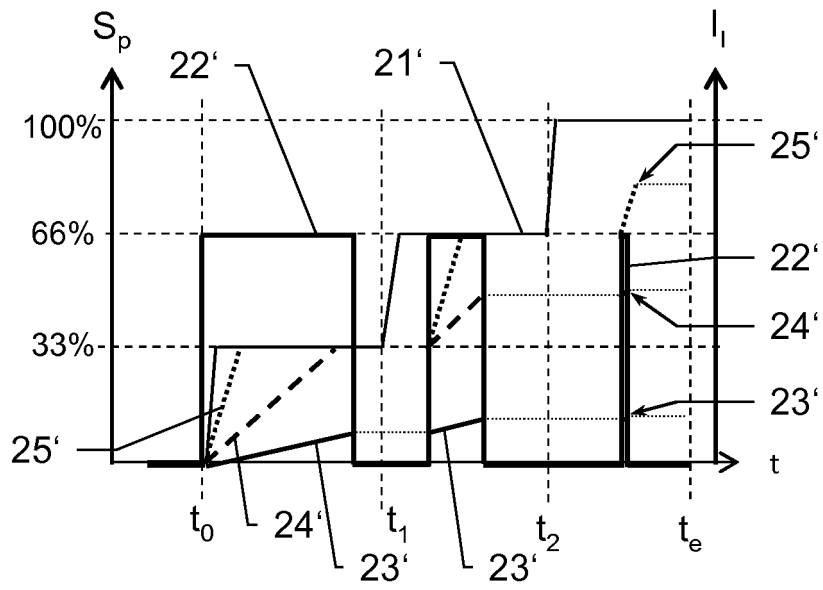


Fig. 2b

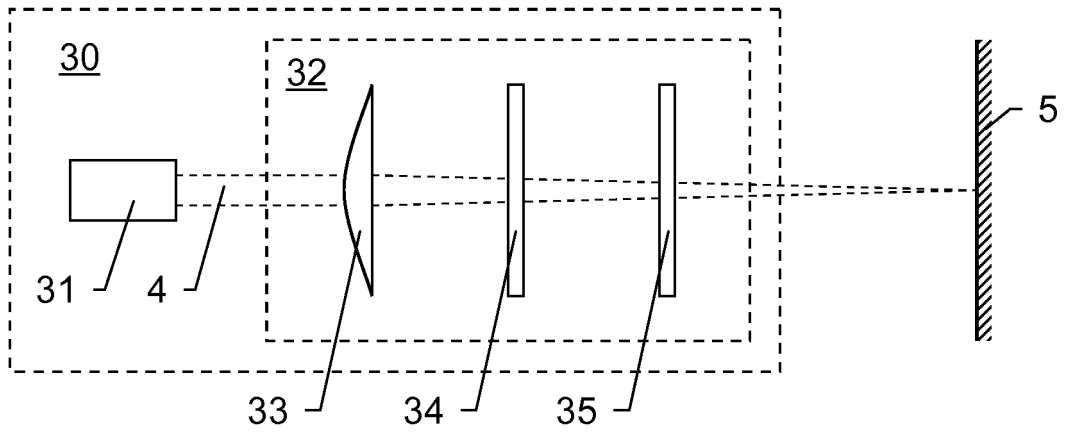


Fig. 3a

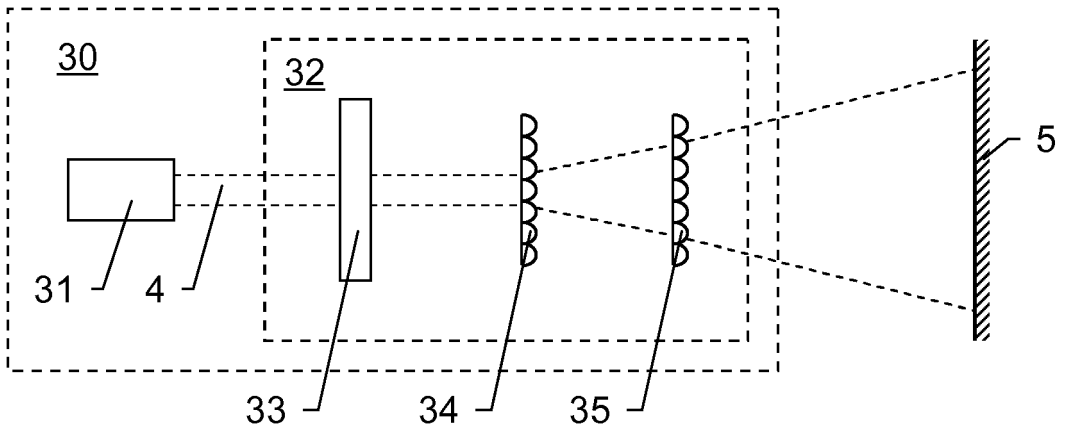


Fig. 3b

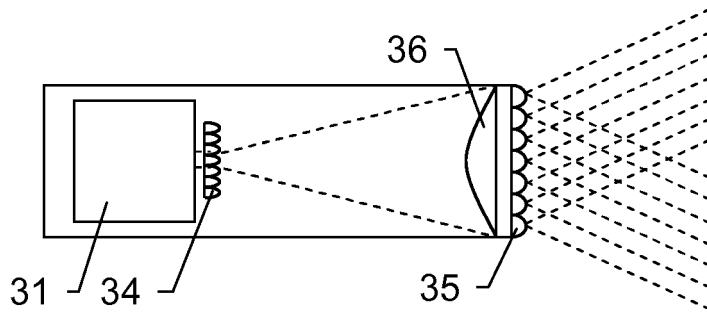


Fig. 3c

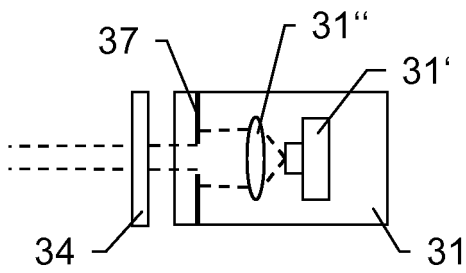


Fig. 4a

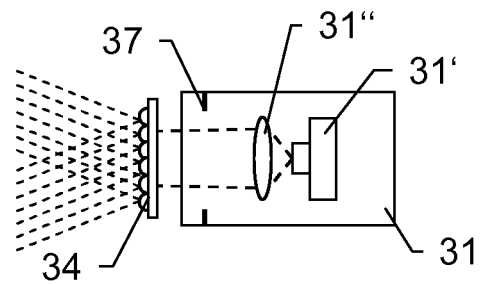


Fig. 4b

REFERENCES CITED IN THE DESCRIPTION

This list of references cited by the applicant is for the reader's convenience only. It does not form part of the European patent document. Even though great care has been taken in compiling the references, errors or omissions cannot be excluded and the EPO disclaims all liability in this regard.

Patent documents cited in the description

- DE 102004026090 A1 **[0008]**
- WO 2011000435 A1 **[0008] [0010]**
- US 2008094643 A1 **[0008]**
- WO 2007125081 A1 **[0010]**